



CTI-160

SOLAR MODULE

Reliable

The CTI-160 Solar Module from Carmanah is a high-efficiency monocrystalline solar module that provides outstanding performance and cost-effective solar power for high-end off-grid and mobile applications. Carmanah's CTI-160 solar module is built to last and features a 25-year limited power output warranty.

Durable

To ensure long life, the high-efficiency solar cells are encapsulated between a special tempered, low-iron solar glass and a Tedlar®/polyester backing material. The mounting frame, manufactured from anodized marine-grade aluminum, allows the CTI-160 to be installed in extreme conditions.

The CTI-160 is ideal for:

- RV/Marine
- 12/24 Volt battery systems
- OEM
- Security Trailers
- Telecommunications
- Stand-alone or grid connected applications
- Signaling systems
- Remote telemetry
- Water pumping
- Other off-grid applications

Features:

- Compact and rugged design
- Plug and play junction box
- Lightweight anodized aluminum frame
- High transmissivity tempered glass
- Industry standard quick-connect cables (MC4) work in series or in parallel
- 25 year limited power output warranty



CTI-160 SOLAR MODULE



The management system governing the manufacture of this product is ISO 90001:2008 certified.

REPRESENTED IN YOUR REGION BY:



CTI-160

SOLAR MODULE

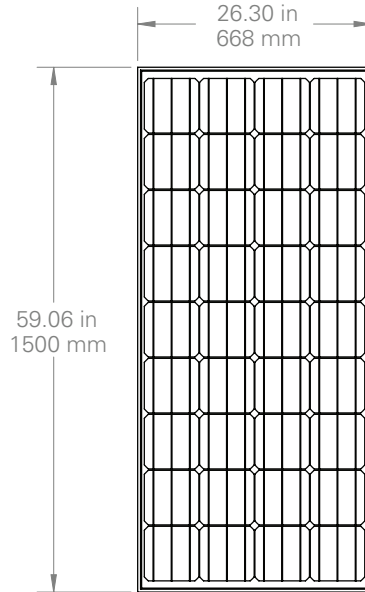
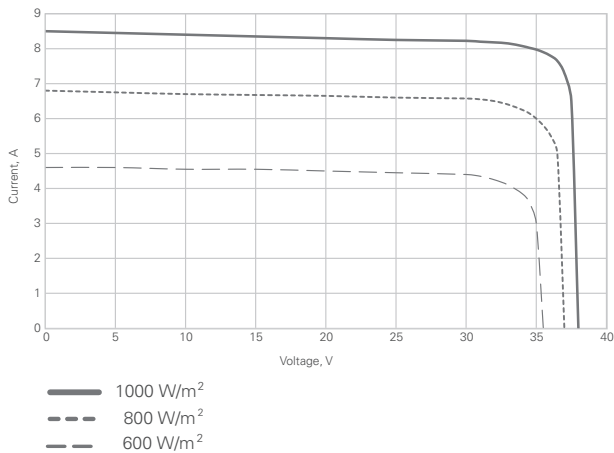
SPECIFICATIONS

Rated power (Pm)	160W
Maximum power voltage (Vmp)	18.60V
Maximum power current (Imp)	8.60A
Open circuit voltage (Voc)	22.50V
Short circuit current (Isc)	9.29A
Power coefficient	-0.39% / °C
Voltage coefficient	-0.31% / °C
Current coefficient	0.045% / °C
Max power tolerance	+/- 5W
Cell type	Monocrystalline
Module efficiency	16.4%
Series fuse rating	20A
Maximum system voltage	1000VDC (UL / IEC)
Weight	26.4 lb (12 kg)
Dimensions	59.1 x 26.3 x 1.97 in 1500 x 668 x 50 mm
Frame type / material	Clear anodized aluminum frame

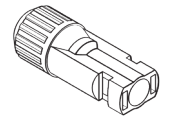
Power Specifications calculated at STC:

- Irradiance: 1000 W/m²
- Cell Temperature: 77 °F (25 °C)
- Air Mass: 1.5

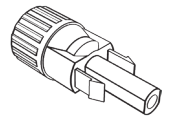
IV CURVE PARAMETERS



Front Profile

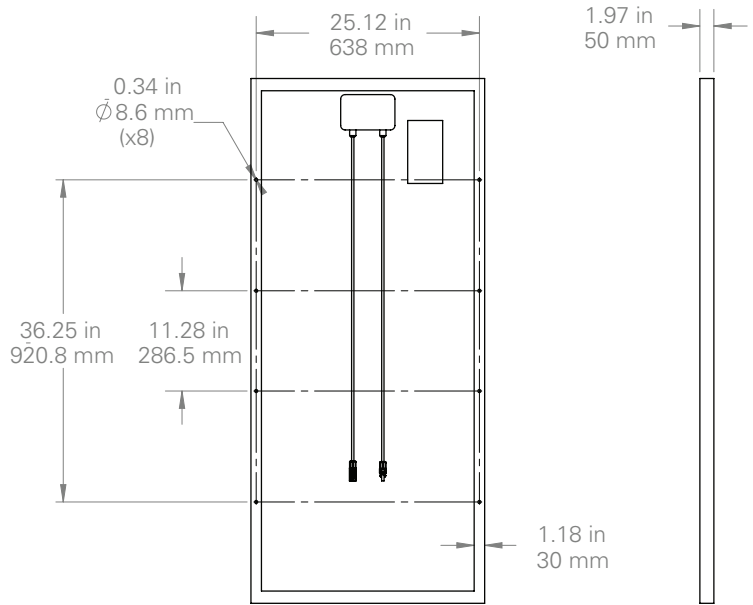


MC4 Negative



MC4 Positive

MC4 Connectors



Back Profile

Side Profile

Specifications subject to local environmental conditions.
Specifications may be subject to change.

© 2016, Go Power! by Valterra
Document: SPEC_GP_CTI-160_RevD